

## Specifications

**UL Listing:** Suitable for wet locations. Suitable for ground mounting.

**LEDs:** Multi-chip, high-output, long-life LEDs

**Lifespan:** 100,000-hour LED lifespan based on IES LM-80 results and TM-21 calculations

**Drivers:** Constant current, Class 2, 120-277V, 50/60 Hz, 6 kV Surge Protection, 720mA, 100-277V: 0.4 A, THD <20%, Power Factor 99.2%

**Dimming:** Available as On/Off or with 0-10V dimming driver

Correlated Color Temp. (CCT)	5000K	4000K	3000K
Input Watts @ 120VAC	89	90	91
Output Lumens	9784	10098	9656
Lumens per Watt	110	112	107
Color Accuracy (CRI)	71	71	70

**Cold Weather Starting:** Minimum starting temperature is -40°F / -40°C

**Ambient Temperature:** Suitable for use in 40°C (104°F) ambient temperatures

**Thermal Management:** Superior thermal management with external Air-Flow fins

**Housing:** Precision die-cast aluminum housing and door frame

**Mounting:** 2 3/8" slipfitter mount with stainless steel hardware, or trunnion mount with 3 ft. cord

**Lens:** Microprismatic diffusion lens for smooth and even light distribution

**Reflector:** Vacuum-metallized, specular polycarbonate

**NEMA Type:** 6H x 4V

**Gaskets:** High-temperature silicone

**Finish:** Our environmentally friendly polyester powder coatings are formulated for high-durability and long-lasting color, and contain no VOC or toxic heavy metals.

**Color Consistency:** 3-step MacAdam Ellipse binning to achieve consistent fixture-to-fixture color\*

**Color Stability:** LED color temperature warranted not to shift more than 200K in CCT in 5 years

**Color Uniformity:** RAB's range of CCT (Correlated Color Temperature) follows the guidelines of the American National Standard for Specifications for the Chromaticity of Solid State Lighting (SSL) Products, ANSI C78.377-2015.

**Green Technology:** Mercury and UV free. RoHS-compliant components.

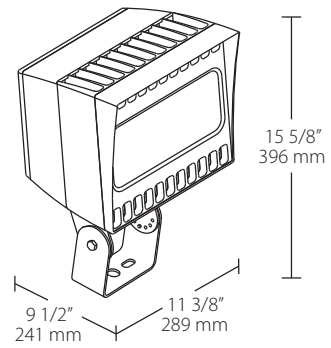
**IESNA LM-79 & LM-80 Testing:** RAB LED luminaires have been tested by an independent laboratory in accordance with IESNA LM-79 and LM-80, and have received the Department of Energy "Lighting Facts" label.

**Patents:** The design of the CANVAS™ is protected by patents pending in US, Canada, China, Taiwan and Mexico.

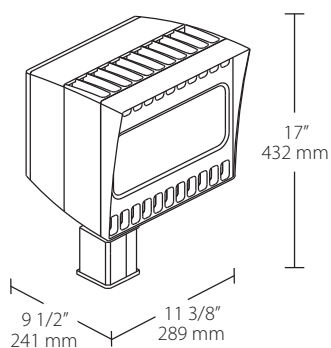
\*3000K and 4000K models only. 5000K model is 7-step MacAdam ellipse binning.

## Dimensions & Weight

**Trunnion Weight:**  
27.5 lbs.

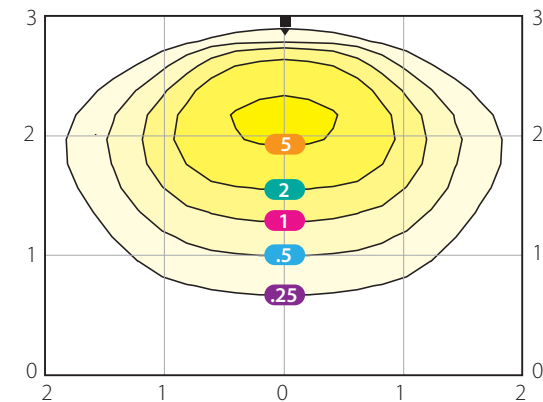


**Slipfitter Weight:**  
26.6 lbs.

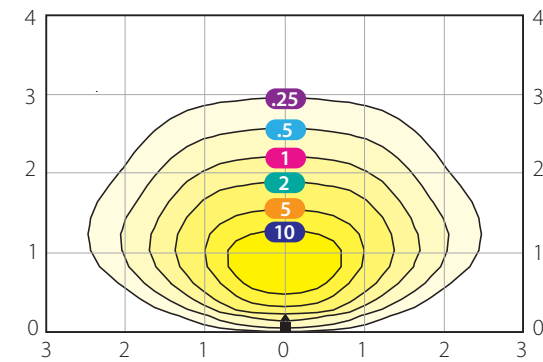


## Photometrics

**CANVAS78T** - 30' mounting height, 45° below horizon



**CANVAS78SF** - 5' setback, 45° above horizon



Mounting Height	25	28	30	32	35
Multiplier	1.4	1.2	1.0	0.9	0.7

Grid Scale: Multiples of Mounting Height • Values Shown in Footcandles  
Photometric Report #RAB02586MOD50

# Reaches both far and wide.

Illuminate signage and façades with brilliant precision.

## CANVAS™ 78W Floodlight



## Ordering information

Product Family	Wattage	Mounting	Color Temperature	Finish	Options
CANVAS	78				
		SF Slipfitter T Trunnion	Blank 5000K N 4000K Y 3000K	Blank Bronze W White	/BL Bi-Level* /D10 0-10V dimming /PC 120V Photocell /PC2 277V Photocell /PCS 120V Swivel Photocell /PCS2 277 Swivel Photocell

\*Slipfitter models only

**RAB**  
LIGHTING  
RABWEB.COM • 888 722-1000

# CANVAS™ 78W Floodlight



- Replaces 250W MH with over 8100 lumens and high 92 lm/W efficiency
- NEMA Type 6H x 4V ideal for signage & façades
- Ultra-low field-to-beam ratio concentrates light where it's required
- Microprismatic diffusion lens optimizes light output without glare
- Superior thermal management with patent-pending "Airflow" technology
- 100,000-Hour LED lifespan

**IP66**  
RATING



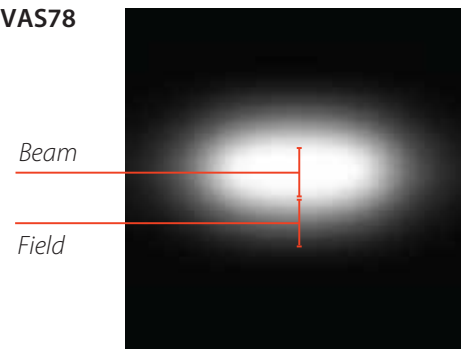
Superior field-to-beam ratio focuses the light where it's needed

NEMA Type 6H x 4V

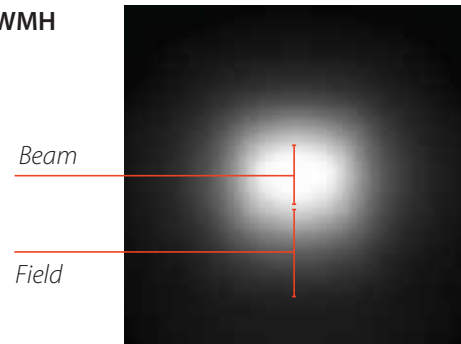
	Beam Angle (50%)*	Field Angle (10%)*
Horizontal	71°	123°
Vertical	26°	56°

\*Represents percentage of maximum beam candlepower.

CANVAS78



250WMH



## Typical applications

### Minimizes spill light

CANVAS puts the light where you need it while minimizing spill light that gets lost to the surrounding area.

*Signage lighting @ 5 ft. setback*



### Ideal for wide façades

For optimal illumination of wide façades. Offers an even rectangular distribution that eliminates scalloping often caused by other floodlights.

*Façade lighting @ 12 ft. setback, 15 ft. on center*



### No light trespass

Minimal to no light trespass because of the tight field/beam ratio the CANVAS provides.

*Trunnion mount @ 30 ft. height*

